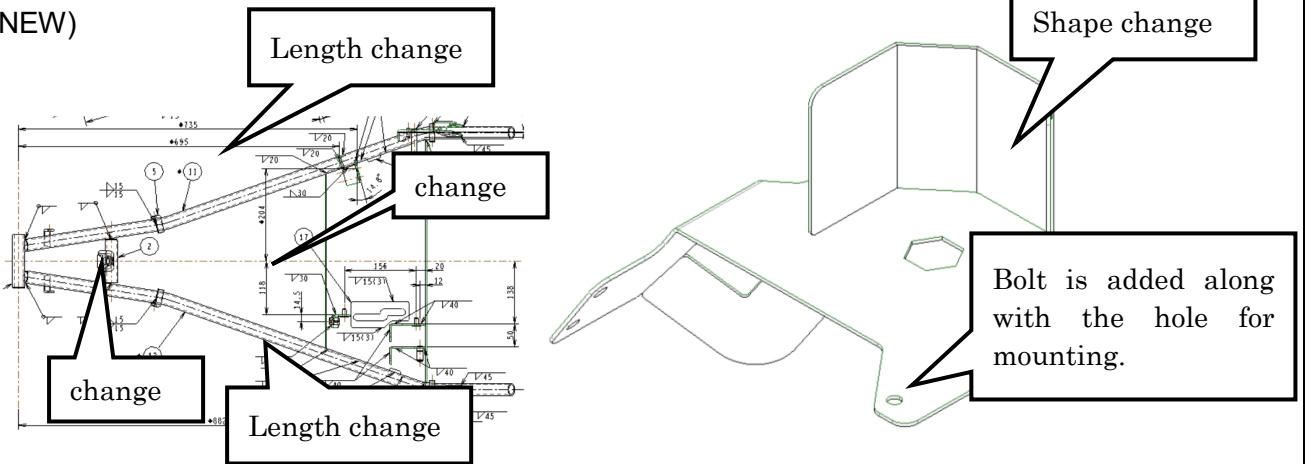


TECHNICAL NOTICE

Please be advised of following modification on OREC machine(s).

MODEL	HRH801		
Issued Date	August 27, 2019		
Issued Number	HRH801-101-1		
New Number			Old Number
0225-12310	Handle CMP	0225-12300	Handle CMP
0225-02600	Oil Tank CMP	0225-02400	Oil Tank CMP
89-1233-080162	Mini Hexagonal Bolt (PWSW) M8*16		
Reason of Modification : To change the handle, the position of the handle, and other related parts in order to prevent the wire from melting.		Interchangeability : New -> Old (impossible) <u>This modification covers following model(s) :</u> HRH801	

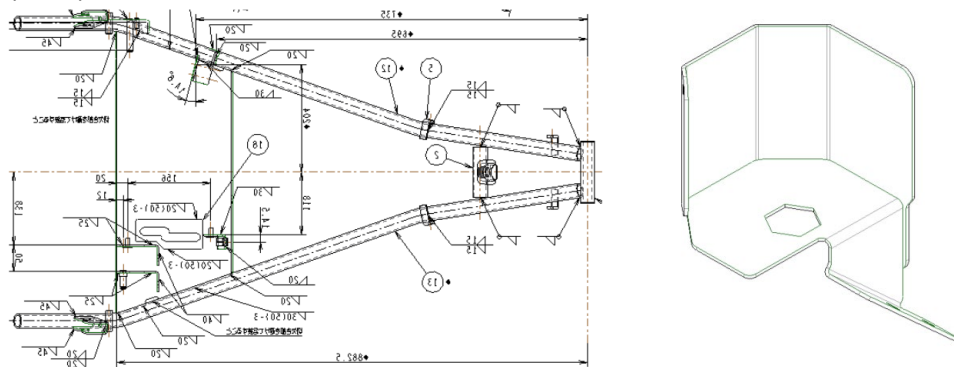
(NEW)



0225-12310 Handle CMP

0225-02600 Oil Tank CMP

(OLD)



0225-12300 Handle CMP

0225-02400 Oil Tank CMP

Modification Starts from : HRH801 production start from December 2019

Remarks :

OREC Co., Ltd.
548-22, Hiyoshi, Hirokawa-Machi, Yame-Gun, Fukuoka, 834-0195, Japan
TEL : 0943-32-5057 FAX : 0943-32-3518